

RF220NCTASR

30" Wide, 21.8 cu. ft. French Door Refrigerator

Features

- 30" Wide
- Large Storage Capacity – 21.8 cu. ft.
- Ice Maker in Freezer
- High-Efficiency LED Lighting
- Wide Open Pantry
- Two Humidity-Controlled Crispers
- Tempered Glass Spill-Proof Shelves
- Auto Pull-Out Upper Freezer Drawer

Convenience

- Cool Tight Door
- Door Alarm
- Removable Ice Caddy



French Door Design



High-Efficiency LED Lighting

Available Colours:



Stainless Steel
(shown)



White



Black

Signature Features

LARGE STORAGE CAPACITY

- Striking, sleek design with ample interior storage space.
 - Enjoy fewer trips to the grocery store thanks to 21.8 cu. ft. space – fits up to 21 bags of groceries.¹
- ¹ Grocery comparison based on each cubic foot of usable space equalling one paper bag.

HIGH-EFFICIENCY LED LIGHTING

- High-efficiency design beautifully lights up the interior so you're able to quickly spot what you want.
- Sleek design saves more space than traditional incandescent light bulbs.

WIDE OPEN PANTRY

- Store long, flat and wide food items that cannot fit elsewhere. Great for storing party platters and more, without taking up space on other shelves.



Ranked **"Highest in Customer Satisfaction with French Door Refrigerators, in a Tie."**

—J.D. Power

SAMSUNG

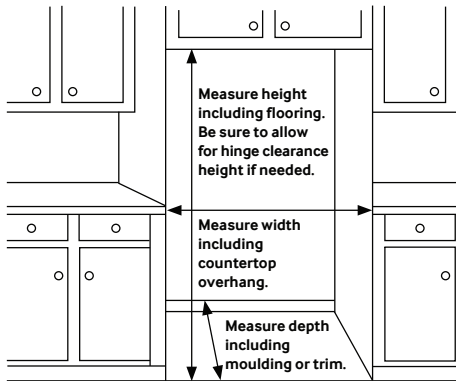
RF220NCTASR

30" Wide, 21.8 cu. ft. French Door Refrigerator

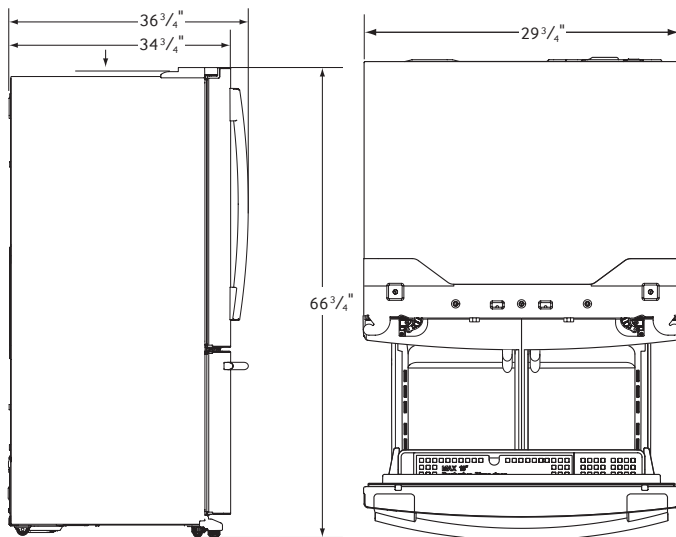
Installing Your Refrigerator

1. Measure the height, width and depth of the opening, making sure to include baseboards, moulding tile, countertop overhang, etc. Check to be sure there is enough room to open the door (consider walls, islands or other obstacles when measuring).
2. Refer to illustration below to determine dimensions.
3. Allow 2" of clearance on hinge side of refrigerator when installing next to a wall where the handle may make contact.
4. Allow 1" minimum clearance at rear for proper air circulation and water/electrical connections. Allow a 3/8" minimum clearance at sides and top for ease of installation.
5. Ensure each door and entryway in the home is wide enough for the refrigerator to be moved through easily.

Please note: The following dimension and cut-out information is for planning purposes only. For complete installation details consult manual packed with product, or download manual online at samsung.com.



Dimensions



Total Capacity: 21.8 cu. ft.

Refrigerator: 14.8 cu. ft.

- Wide Open Pantry
- 2 Humidity-Controlled Crispers
- 5 Tempered Glass Spill-Proof Shelves
- 6 Gallon Door Bins
- High-Efficiency LED Lighting

Freezer: 7.0 cu. ft.

- 1 Large Opaque Freezer Bin with Divider
- Auto Pull-Out Upper Drawer Bin
- Ice Maker (Cubed)
- High-Efficiency LED Lighting

Warranty

One (1) Year All Parts and Labour
Five (5) Years Sealed System Parts and Labour

Product Dimensions & Weight

Dimensions (WxHxD with hinges, handles and doors):
29³/₄" x 66³/₄" x 36¹/₄"

Dimensions (WxHxD without hinges and door):
29³/₄" x 65³/₈" x 30¹/₂"

Dimensions (WxHxD with hinge and door, no handle):
29³/₄" x 66³/₄" x 33⁷/₈"

Weight: 251.3 lbs.

Shipping Dimensions & Weight (WxHxD)

Dimensions: 31⁷/₈" x 74³/₄" x 36¹/₄"

Weight: 275.6 lbs.

| Colour | Model # | UPC Code |
|-----------------|-------------|--------------|
| Stainless Steel | RF220NCTASR | 036725590250 |
| White | RF220NCTAWW | 036725590281 |
| Black | RF220NCTABC | 036725590274 |

SAMSUNG

*Samsung received the highest numerical score for French door refrigerators in a tie in the proprietary J.D. Power 2014 Kitchen Appliance Study.SM Study based on 15,380 total responses measuring 10 French door refrigerators brands and measures opinions of consumers about their new appliance purchased in the past 24 months. Proprietary study results are based on experiences and perceptions of consumers surveyed in January-March 2014. Your experiences may vary. Visit jdpower.com.

Actual colour may vary. Design, specifications, and colour availability are subject to change without notice. Non-metric weights and measurements are approximate. Clearance requirements are the recommended minimum only. Check the regulations and codes in your area for any additional requirements.

© 2015 Samsung Electronics Canada Inc. All rights reserved. Samsung is a registered trademark of Samsung Electronics Co., Ltd., used with permission.